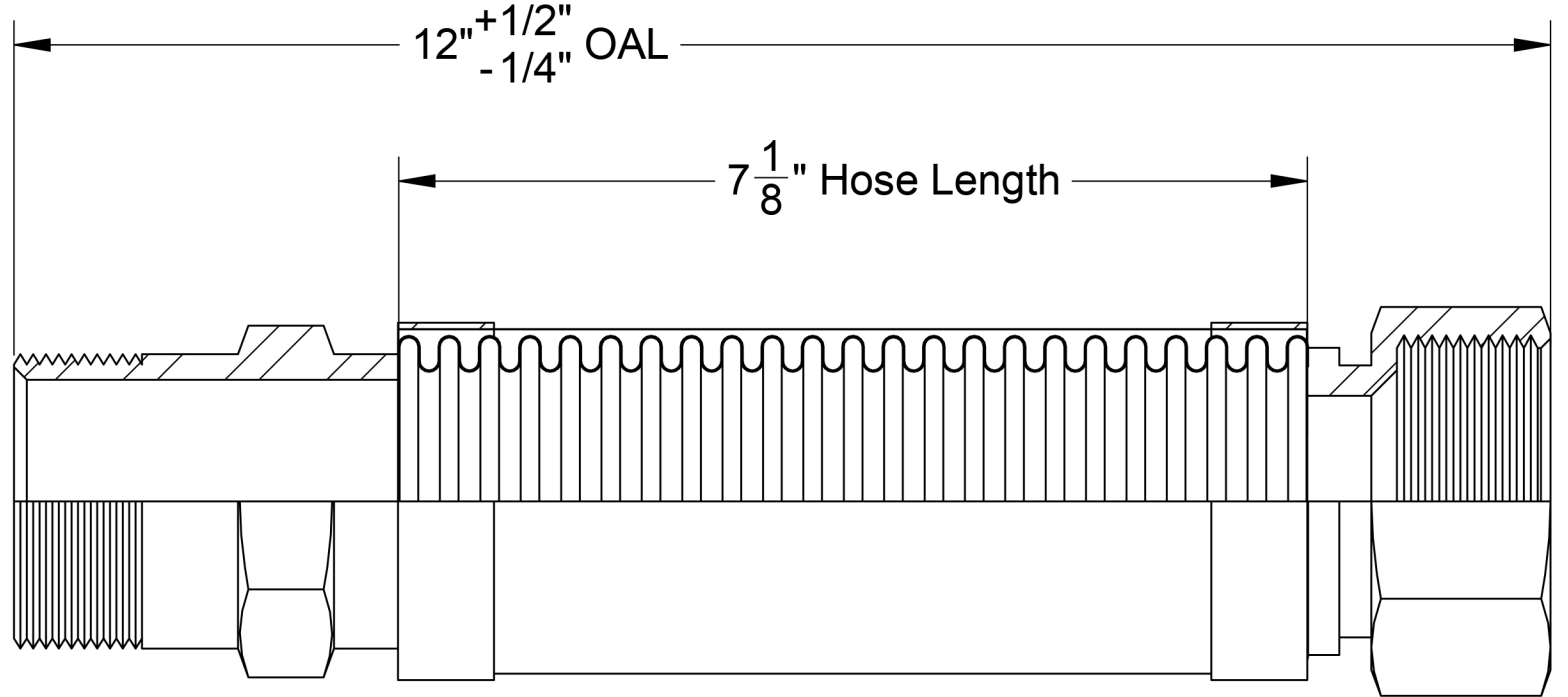
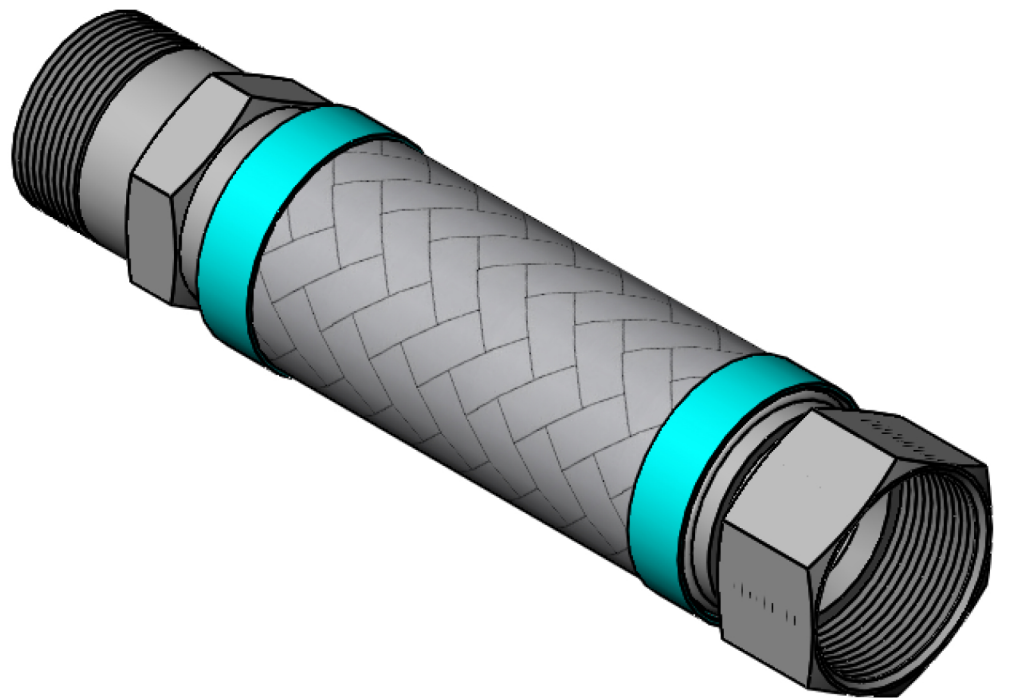





8 7 6 5 4 3 2 1

REVISIONS			
REV.	DESCRIPTION	DATE	APPROVED



ITEM #	QTY.	PART NUMBER	DESCRIPTION	MATERIAL	WEIGHT
1	1	HOSE	300 Series Stainless HYDROFORMED Corrugated Hose	Stainless Steel	0.41
2	1	BRAID	300 Series Stainless Steel	Stainless Steel	0.03
3	2	BRAID COLLAR	0.05" Thick	Stainless Steel	0.09
4	1	2" MALE	2" Male, 2"x11-1/2" Thread, 2.38" Hex	Carbon Steel	1.18
5	1	2" FEMALE	2" Female, 2"x11-1/2" Thread, 2.38" Hex	Carbon Steel	0.83



		HOSE MASTER Inc. 1233 East 222nd Street • Cleveland, Ohio 44117 (800) 221-2319 • Fax: (216) 481-7557 • www.hosemaster.com Locations: Cleveland • Houston		Registered to: ISO 9001 : 2000 
Projection: 	Customer: Hose Master Inc.	Prepared By: kannk		
	Reference: Fire-Shield - 2" Male x 2" Female x 12" OAL	CALC. WEIGHT: 3 lbs.	Date: 9/24/2009	
	Description: 2" ID x 12" OAL 300 Series Stainless HYDROFORMED Corrugated Hose covered by 300 Series Stainless Braid. UL Approved 2" Male Connector x 2" Female Connector			
	Drawing #:	FSMF0200x12	Rev.: - SHEET 1 OF 1	

8 7 6 5 4 3 2 1